



## Eagle Connector Corporation

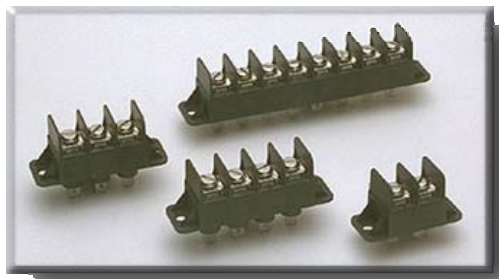
401 Crossen Avenue  
 Elk Grove Village, IL 60007-2003  
 Phone: 847-593-8737  
 Fax: 847-593-7994  
 info@eagleconnector.com

### G-SERIES TERMINAL BLOCKS

Eagle Connector G-Series terminal block is a power/signal field wiring terminal block offered for commercial and industrial applications. Common applications are those where field wiring is on the outside of the device and factory wiring is enclosed within the device. The G-Series is rated for loads up to 25 amps and up to 600 volts. The large screw with captive sems wire clamping washers allow easy wiring even when terminating combinations of different wire sizes. The GT-Series allows insulated use thru metal device enclosures.

#### General Specifications - (G & GT Series)

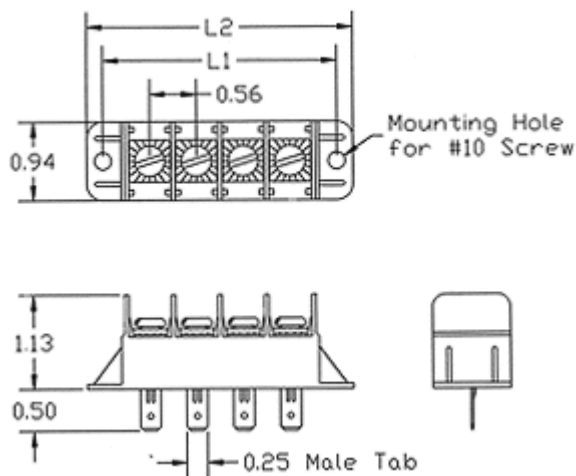
**Voltage Rating:** 600 Volts  
**Current Rating:** 25 Amps  
**Wire Range:** #22 to #8 AWG Solid or Stranded Copper  
**Temperature Range:** -30°C to 130°C  
**Screw Tightening Torque:** 20 Inch-Pounds  
**Wire Strip Length:** 1/2 Inch



#### Material Specification - (G & GT Series)

**Insulator:** Thermoplastic PBT Polyester, Glass Filled, 94V-O, 130°C  
**Connector:** .0002" (200 micro-inch) Thick 60/40 Electro Tin/Lead over Copper Flash over 0.032" Thick 70/30 Brass  
**Screw:** #10-32 Slotted Screw With Captive Wire Clamp Washer; .0001" (100 micro-inch) Thick Nickel over Copper Flash over Brass  
**Nut:** #10-32 Square Nut; Clear Chromate over .0001" Thick Zinc over Steel

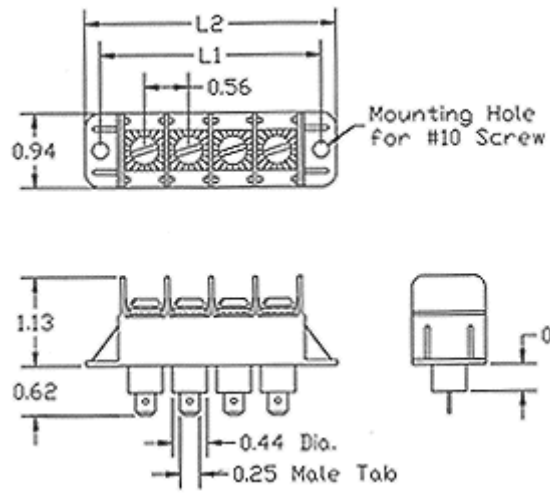
#### G-04 Drawing



#### G Series

Catalog Number	L1	L2
G-02	1.69	2.13
G-03	2.25	2.69
G-04	2.81	3.25
G-05	3.38	3.81
G-06	3.94	4.38
G-07	4.50	4.94
G-08	5.06	5.50
G-09	5.63	6.06
G-10	6.19	6.62
G-11	6.75	7.18
G-12	7.31	7.74

### GT-04 Drawing



### GT Series

Catalog Number	L1	L2
GT-02	1.69	2.13
GT-03	2.25	2.69
GT-04	2.81	3.25
GT-05	3.38	3.81
GT-06	3.94	4.38
GT-07	4.50	4.94
GT-08	5.06	5.50
GT-09	5.63	6.06
GT-10	6.19	6.62
GT-11	6.75	7.18
GT-12	7.31	7.74

Call us for free sample terminal blocks.  
Call us to help solve your custom terminal block requirements.

**847-593-8737**