



## Eagle Connector Corporation

401 Crossen Avenue  
 Elk Grove Village, IL 60007-2003  
 Phone: 847-593-8737  
 Fax: 847-593-7994  
 info@eagleconnector.com

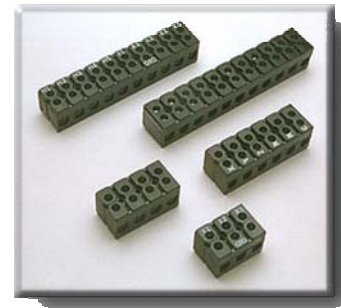
### B-SERIES TERMINAL BLOCKS

Eagle Connector B-Series terminal blocks were designed to provide reliable, versatile, and cost effective wire connectors in rugged industrial equipment and commercial appliance applications. The B-Series is used as a power connection point for loads up to 85 amps. The B-Series is also used in low power applications where large wire, as large as #4 AWG, is used to minimize voltage drop.

We can print markings on individual circuits as an option in the B-Series terminal blocks.

### General Specifications

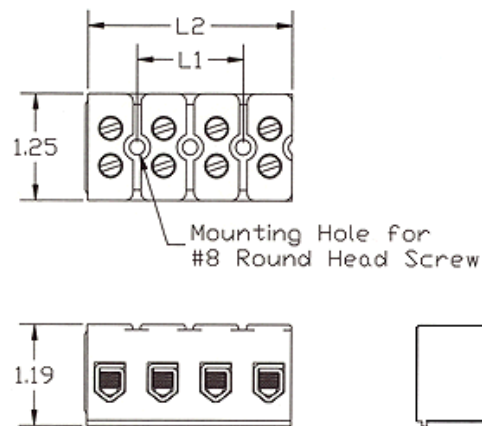
**Voltage Rating:** 600 Volts  
**Current Rating:** 85 Amps  
**Wire Range:** #18 to #4 AWG Solid or Stranded, Copper  
**Temperature Range:** -30°C to 150°C  
**Screw Tightening Torque:** 20 Inch-Pounds  
**Wire Strip Length:** 3/8 Inch



### Material Specification

**Insulator:** Phenolic, Black, UL94V-O, 150°C  
**Connector:** .0002" (200 micro-inch) thick 60/40 Electro Tin/Lead over Copper Flash over .050" thick 70/30 Brass  
**Screw:** 1/4-28 UNF Class 2 Slotted, Headless, Domed Point Set Screw. Clear Chromate over .0001" (100 micro-inch) thick Zinc over Steel

### B-04 Drawing



### B Series

Catalog Number	L1	L2
B-02	----	1.19
B-03	.0625	1.81
B-04	1.250	2.44
B-05	1.875	3.06
B-06	2.500	3.69
B-07	3.125	4.31
B-08	3.750	4.94
B-09	4.375	5.56
B-10	5.000	6.19
B-11	5.625	6.84
B-12	6.250	7.46

UL Recognized, CSA Certified, VDE Licensed



**Call us for free sample terminal blocks.  
 Call us to help solve your custom terminal block requirements.**

**847-593-8737**